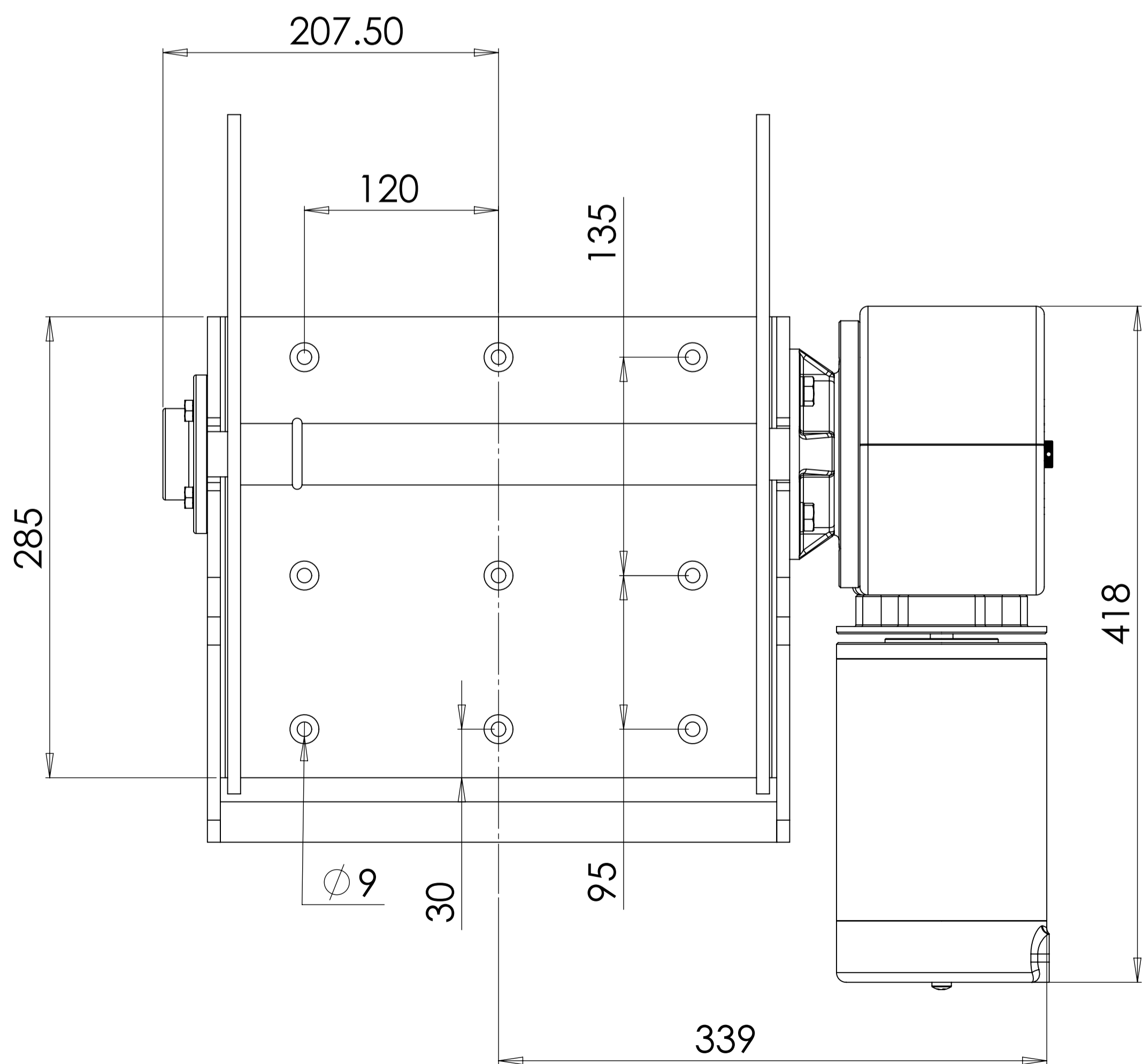
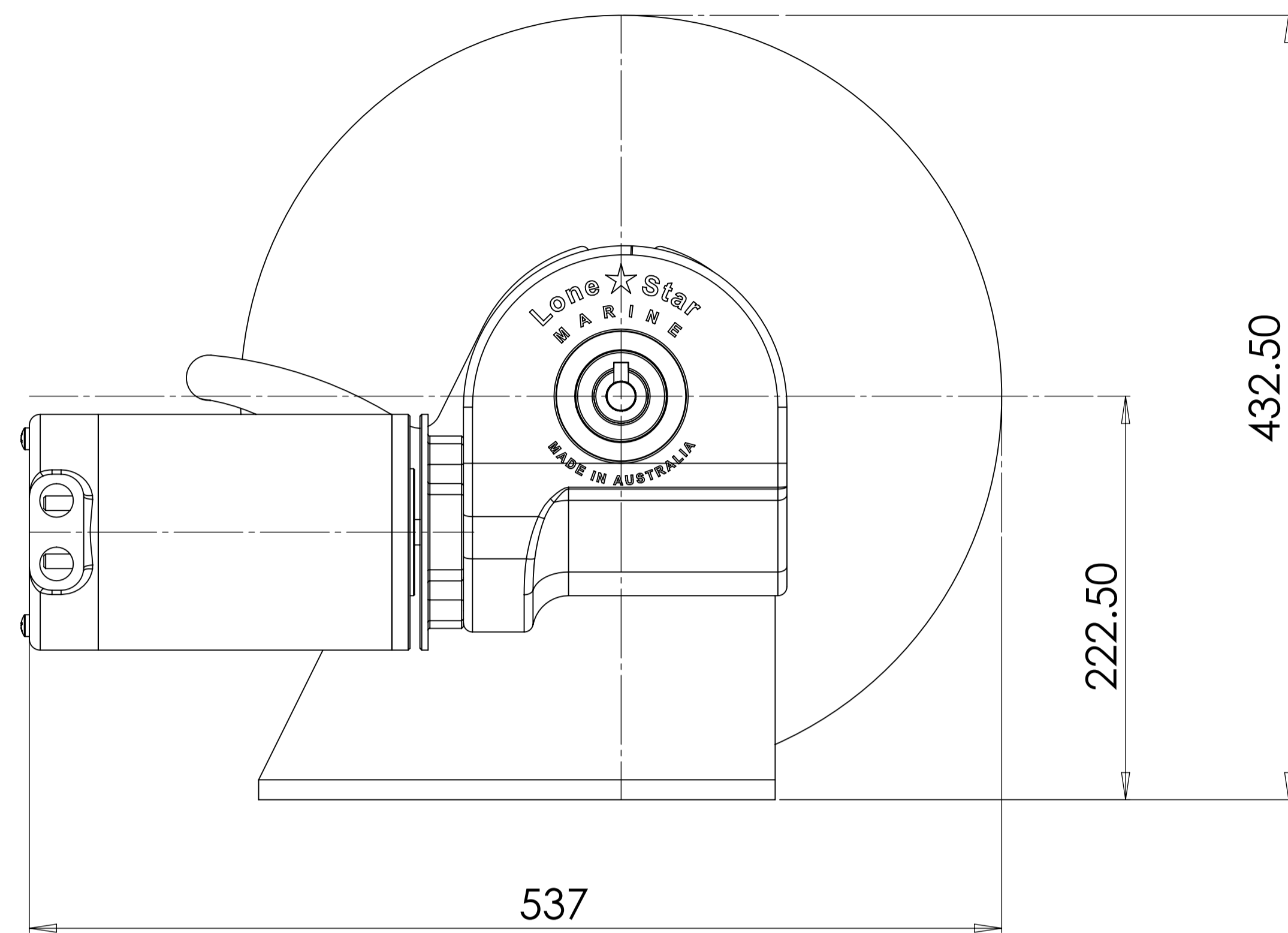
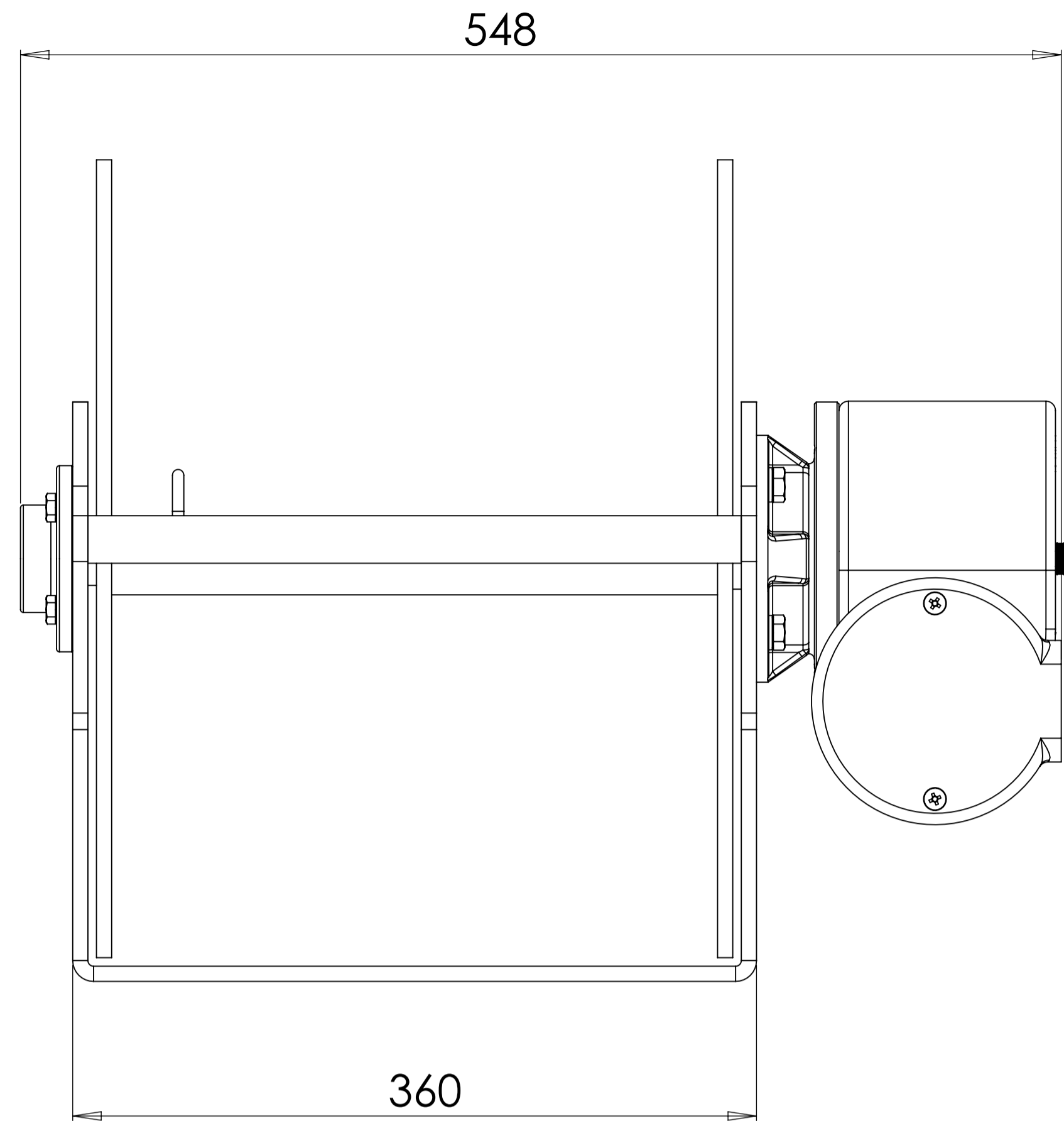


DO NOT SCALE



This document and its contents are the property of Lone Star Marine, they are protected by design registration and copyright, any form of disclosure to any third party is strictly prohibited unless written permission is given from Lone Star Marine.

UNLESS OTHERWISE SPECIFIED: DIMENSIONS ARE IN MILLIMETERS SURFACE FINISH: TOLERANCES: LINEAR: ANGULAR:			FINISH:			DEBUR AND BREAK SHARP EDGES			DO NOT SCALE DRAWING		REVISION	
DRAWN	NAME	SIGNATURE	DATE								TITLE:	
CHKD	CHRIS		--2015								DWG NO. ELITE 5 FIT UP_1	
APPVD											SHEET 1 OF 1	
MFG											SCALE: 1:5	
QA											WEIGHT:	